

# ROADWAY

## RD105 Series

**MULTI-PURPOSE FIXTURE**  
**Indoor/Outdoor — LED FLOOD LIGHT**

**SERIES**

RD105 RD105 Series

**LAMP TYPE**

LED Light Emitting Diode

**NO. OF LAMPS/WATTAGE**

LED 15, 25 or 50 Watt

**COLOR TEMPERATURE**

CT3 ±3000K LED Color Temp

CT4 ±4000K LED Color Temp

CT5 ±5000K LED Color Temp

**VOLTAGE**

120 120 Volts

277 277 Volts

UNV 120~277 Universal Volt  
*Must Specify Voltage for EM option*

**BALLAST**

ED Electronic Driver

**OPTIONS**

FUS Fuse and Fuseholder

GN Generator Transfer Device

H/L Dual Circuit, High/Low LED Light Level

LEC5\* LED Emergency Circuit [1] Five Watt

LEC10\* LED Emergency Circuit [2] Five Watt

*\*Specify Voltage for incoming EM Circuit [by others]  
A = 12VDC; B = 120VAC; C = 24VDC; D = 277VAC*

SU Surge Protection for LED fixtures

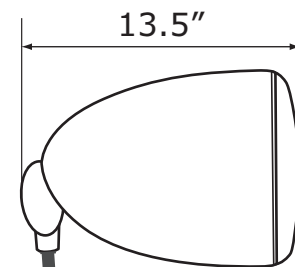
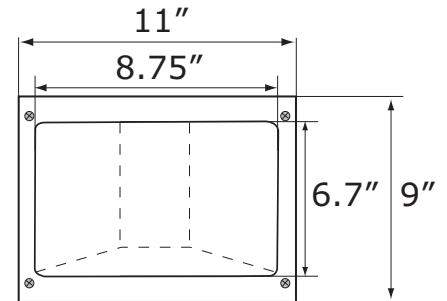
**FINISH**

BZ Bronze - Standard

**SPECIFICATIONS**

Durable, high impact resistant floodlight is ideal for outdoor space illumination: buildings, yards and walkways. Superb combination of classic styling, spec-grade construction, and energy-efficient illumination; can be successfully used for safety and security, as well as decorative applications.

- DRIVER — Constant Current & Constant Voltage.
- FINISH — Oven baked [BZ] bronze polyester powder finish.
- GASKETING — High temperature black EPDM and neoprene rubber concealed in housing pocket & enclosed by cast in drip shield and rear wire entrance hole protects against dust, moisture and outside contamination.
- HOUSING — Seamless die cast aluminum.
- LAMP — [LED] Light Emitting Diode.
- LENS — Clear tempered glass [G] .156" thick is standard.
- LENS FASTENERS — 2 Stainless steel tamperproof screws to secure lens in place.
- LABELS — **UL/ULC LISTED** Suitable For Wet Location.
- MOUNTING — Adjustable knuckle with .5" NPT threads.



**SUBMITTAL INFORMATION**

Project: \_\_\_\_\_

Location: \_\_\_\_\_

Catalog No.: \_\_\_\_\_

Fixture Type: \_\_\_\_\_