

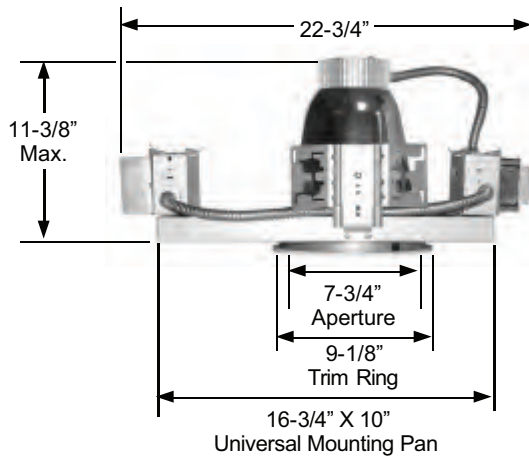


RECESSED

NOT TO BE INSTALLED IN INSULATED CEILING

RC8

RECESSED MOUNT
LED Recessed Downlight



ORDERING INFORMATION:

SERIES

RC8 = RC8 Series - 8" dia. downlight

SERIES TYPE

- AO = Architectural open downlight (Tempered glass lens regressed in aperture)
- AOB = Architectural open downlight with mini-groove baffle (Tempered glass lens regressed in aperture)

LAMP TYPE/LAMP QUANTITY/WATTAGE

LED36 = Light Emitting Diode 36 Watt
LED53 = Light Emitting Diode 53 Watt

COLOR TEMP (LED)

- 27K = 2700K color range, 70 LPW
- 3K = 3000K color range, 80 LPW
- 35K = 3500K color range, 80 LPW
- 4K = 4000K color range, 90 LPW
- 5K = 5000K color range, 100 LPW

VOLTAGE

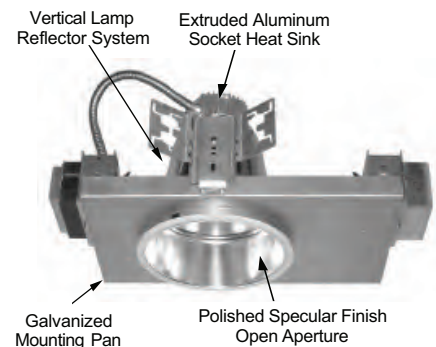
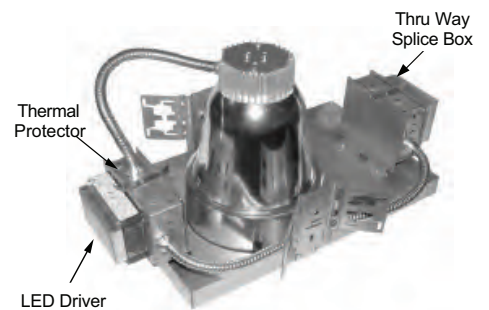
EBU = High Temp Universal Volt (120-277)

OPTIONS

- 0-10D = 0-10D Low-Voltage LED dimming
- FUS = Single Fusing
- DFUS = Double Fusing
- LG = Louver Guard
- SA10 = Slope Adapter - 10° Slope
- SA20 = Slope Adapter - 20° Slope
- SA30 = Slope Adapter - 30° Slope

SPECIFICATIONS

- LED DRIVER — EBU (120-277V)
- REFLECTOR — Spun aluminum #1100, buffed and etched, then electro-chemically processed to satin finish.
- MOUNTING — 18 Ga. (.048") galvanized steel die formed universal mounting frame fits most ceiling systems; min. 1/2", max. 2" thick. Thru way splice box.
- LAMP — 30W or 53W LED - INCLUDED.
- HEAT SINK — Extruded aluminum, supports light engine. Dissipates heat from LED board.
- LENS — See ordering information.
- THERMAL DEVICE — Automatic resetting heat sensitive device for non-IC installations. Protects fixture from overheating if insulation covers fixture.
- LABELS — ETL, CETL listed, suitable for wet location under covered ceiling. I.B.E.W. labeled.
- LM79/LM80 — Pending



SUBMITTAL INFORMATION

Project: _____

Location: _____

Catalog No.: _____

Fixture Type: _____