



# RECESSED

NOT TO BE INSTALLED IN INSULATED CEILING

## RC12

RECESSED MOUNT  
LED Recessed Downlight



### ORDERING INFORMATION:

#### SERIES

RC12 = RC12 Series

#### LAMP TYPE/LAMP QUANTITY/WATTAGE

- LED36 = Light Emitting Diode 36 Watt
- LED53 = Light Emitting Diode 53 Watt
- LED93 = Light Emitting Diode 93 Watt

#### COLOR TEMP (LED)

- 3K = 3000K color range, 65 LPW
- 4K = 4000K color range, 76 LPW
- 5K = 5000K color range, 80 LPW

#### VOLTAGE

EBU = HighTemp Universal Volt (120-277)

#### OPTIONS

- FUS = Single Fusing
- DFUS = Double Fusing

#### TRIM FINISH

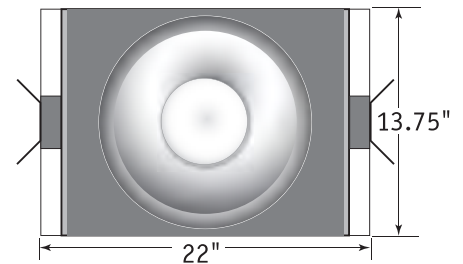
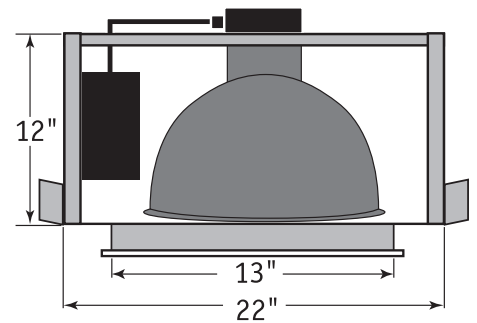
- WH = White (STANDARD)
- CC = Custom Color

#### LENS OPTIONS (NO LENS IS STANDARD)

- 80 = .125" Prismatic Polycarbonate
- 85 = .156" Clear Tempered Glass
- 93 = .156" C73 Prismatic Tempered Glass

### SPECIFICATIONS

- LED DRIVER — EBU (120-277V)
- REFLECTOR — Spun aluminum #1100, buffed and etched, then electro-chemically processed to satin finish.
- MOUNTING — Adjustable mounting brackets. For use between 16" O.C. Studs or Threaded Rod - BY OTHERS. Support from above in suspended ceilings.
- LAMP — 30W, 53W or 93W LED - INCLUDED.
- HEAT SINK — Extruded aluminum, supports light engine. Dissipates heat from LED board.
- LENS — See ordering information.
- TRIM FRAME — Finished Matte White.
- FINISH — Trim and finish are phosphate pre-treated and finished in oven baked polyester powder coat.
- LABELS — UL, ULC listed, suitable for damp or dry location under covered ceiling.
- LM79/LM80 — Pending



### SUBMITTAL INFORMATION

Project: \_\_\_\_\_  
 Location: \_\_\_\_\_  
 Catalog No.: \_\_\_\_\_  
 Fixture Type: \_\_\_\_\_