

# HIGH ABUSE

## HA100 Series

HIGH ABUSE SURFACE MOUNT  
Indoor/Outdoor — FL, LED, HID

**SERIES**

HA100 HA100 High Abuse Surface Series

**STYLE**

- A Standard Clear Lens
- B Painted Eyelid

**LAMP TYPE**

- TBX Triple Biax Mini-Fluorescent
- MH Metal Halide
- QL QL Induction — QL[1]55 Max for Style B
- LED Light Emitting Diode

**VOLTAGE**

- 120 120 Volts
- 277 277 Volts
- 347 347 Volts
- QV Quad Volt [120/208/240/277]
- UNV 120~277 Universal Volt  
Must Specify Voltage for EM option

**BALLAST**

- EBX Electronic Ballast
- EBMH Electronic Ballast for MH
- HPF High Power Factor for MH

**FINISH**

- BK Black
- BZ Bronze
- PA Painted Aluminum
- WHT White

**OPTIONS**

- CT3 ±3000K LED Color Temp
- CT4 ±4000K LED Color Temp
- CT5 ±5000K LED Color Temp
- DIM Dimming Ballast  
\*Refer to DIM Table for options
- FUS Fuse and Fuseholder
- FUS2 Double Fusing
- GN Generator Transfer Device
- H/L Dual Circuit for High/Low Light Level  
for LED
- MDX External Motion Detector  
Specify Finish: Bronze or White
- PHT1 Integral Photocell 120V
- PHT7 Integral Photocell 277V
- REM Remote Emergency Battery—needs to be wired  
to recessed J-Box—no conduit entry  
self-contained in CA – Must Specify Voltage [120V or 277V]
- SU Surge Protection for LED fixtures
- TPD Tamperproof Screwdriver

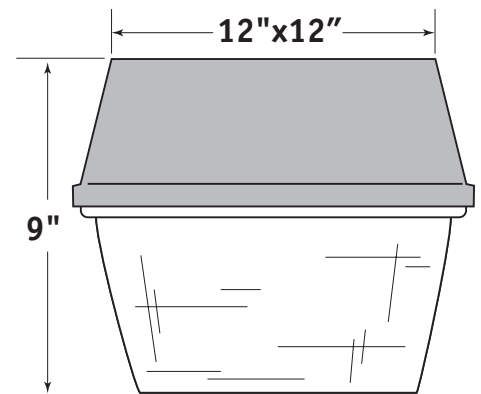
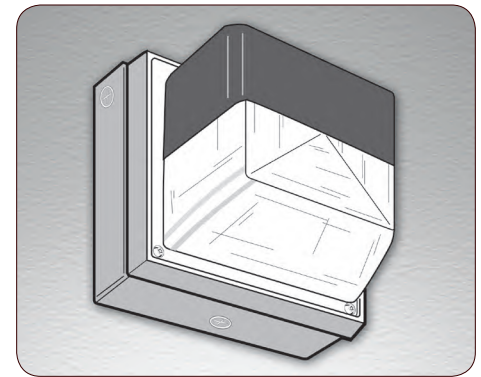
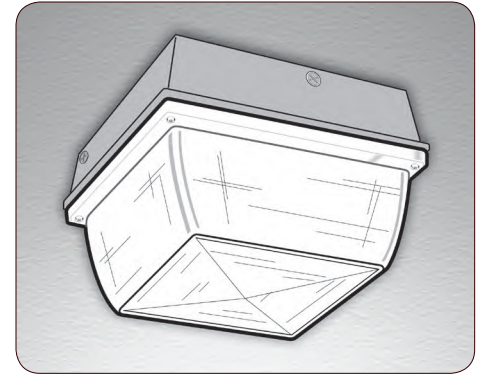
**HA100 LAMPING TABLE**

TBX	MH	QL	LED
[1]26	[1]70	[1]55	30
[1]32	[1]100	[1]85	40
	[1]150		60

**SPECIFICATIONS**

Superb combination of classic styling, spec-grade construction and energy efficient illumination. High Abuse Series luminaires provide smooth, wide spread accent and security lighting with superior weather and vandal-resistant design features.

- **BALLAST** — Pulse Start Metal Halide. [IND] Induction Generator. 120 or 277 Volt, extreme temp range -30°C to 90°C, HPF electronic ballast [EBX] for Mini-FL.
- **FINISH** — Bronze oven baked polyester powder coat.
- **GASKETING** — High temperature anti-aging black EPDM and/or neoprene rubber concealed in housing pocket, with cast-in drip shield enclosure and rear wire entrance hole protecting against outside contamination.
- **HOUSING** — Heavy wall cast aluminum with wire access on 4 sides and back thru threaded .5" conduit size entrance holes.
- **LAMP** — [MH] Metal Halide; [QL] QL Induction; [LED] Light Emitting Diode.
- **LENS** — .125" thick UV stabilized injection molded clear prismatic high impact polycarbonate.
- **LENS FASTENERS** — 4 stainless steel tamperproof screws to secure lens to backplate.
- **LABELS** — UL/ULC listed, Suitable For Wet Location.
- **REFLECTOR** — .032 textured aluminum highly efficient and reduces arc tube voltage rise.



**SUBMITTAL INFORMATION**

Project: \_\_\_\_\_

Location: \_\_\_\_\_

Catalog No.: \_\_\_\_\_

Fixture Type: \_\_\_\_\_