



FULL CUT-OFF

FC105 Series

FULL CUT-OFF WALL MOUNT
Indoor/Outdoor — FL, LED, HID

SERIES

FC105 FC105 Full Cut-Off Wall Mount Series

LIGHT DISTRIBUTION [must specify]

FT Forward Throw
WT Wide Spread Throw

LAMP TYPE

TBX Triple Biax Mini-Fluorescent
MH Metal Halide
MHC CosmoPolis™ Metal Halide Ceramic Lamp by Philips [277V Standard]
QL QL Induction
LED Light Emitting Diode

VOLTAGE

120 120 Volts
277 277 Volts
347 347 Volts
QV Quad Volt [120/208/240/277]
UNV 120~277 Universal Volt
Must Specify Voltage for EM option

BALLAST

EBX Electronic Ballast
EBMH Electronic Ballast for MH
HPF High Power Factor for MH

FINISH

BZ Bronze - Standard

OPTIONS

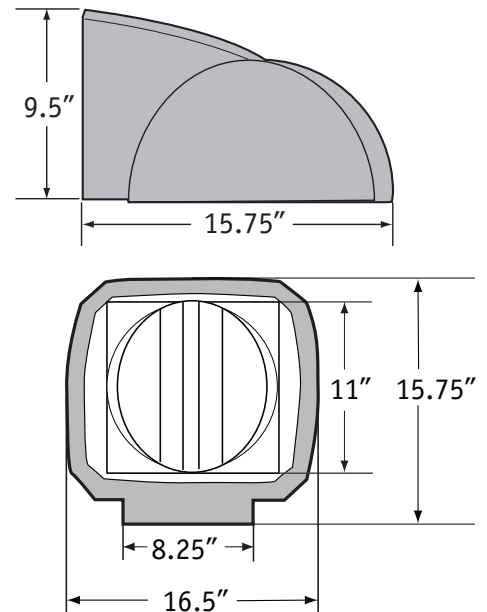
CT3 ±3000K LED Color Temp
CT4 ±4000K LED Color Temp
CT5 ±5000K LED Color Temp
DIM Dimming Ballast
*Refer to DIM Table for options
FUS Fuse and Fuseholder
GN Generator Transfer Device
H/L Dual Circuit for High/Low Light Level for LED
LEC3* LED Emergency Circuit [1] Three Watt
LEC6* LED Emergency Circuit [2] Three Watt
*Must Specify Voltage for incoming EM Circuit [by others]
A = 12V or B = 120V
PHT1 Integral Photocell 120V
PHT7 Integral Photocell 277V
REM Remote Emergency Battery—needs to be wired to recessed J-Box—no conduit entry self-contained in CA
— Must Specify Voltage [120V or 277V];
*Refer to EM Table for options
SU Surge Protection for LED fixtures

LAMPING

FC105 Lamping Table				
TBX	MH	MHC	QL	LED
[1]32	[1]50	[1]60	[1]55	30
[1]42	[1]70	[1]90	[1]85	40
[1]57	[1]100			80
	[1]150			

SPECIFICATIONS

- BACKPLATE — Cast aluminum—quick mount.
- BALLAST — 120 or 277 Volt, extreme temp range -30°C to 90°C, HPF electronic ballast [EBX] for FL. For HID Pulse Start is Standard.
- FINISH — Oven baked Polyester Powder Coat. Standard Finish – Bronze.
- GASKETING — High temperature, non-aging black silicone to protects against dust, moisture and outside contamination.
- HOUSING — Heavy wall cast aluminum. Wire access through .5" conduit size entry hole on back.
- LAMP — [TBX] Triple Biax; [MH] Metal Halide, [MHC] CosmoPolis™ Metal Halide Ceramic Lamp by Philips; [LED] Light Emitting Diode.
- LENS — Clear tempered glass .187" [N] is standard.
- LENS FASTENERS — 2 Stainless steel tamperproof screws to secure lens in place.
- LABELS — UL/ULC listed, Suitable For Wet Location.
- REFLECTOR — Rotatable and adjustable to 5 different positions — Metal Halide only.
- LOUVER — Internal louver for directing light — Metal Halide only.



SUBMITTAL INFORMATION

Project: _____

Location: _____

Catalog No.: _____

Fixture Type: _____