



# CEILING MOUNT

## CM109 Series

MULTI-PURPOSE CEILING MOUNT  
Indoor/Outdoor — FL, IND, LED, HID

### SERIES

CM109 Ceiling Mount Series CM109

### LAMP TYPE

- TBX Triple Biax Mini-Fluorescent
- MH Metal Halide
- CMH CosmoPolis™ Metal Halide Ceramic Lamp by Philips
- IC Circle Induction
- QL QL Induction
- LED Light Emitting Diode

### VOLTAGE

- 120 120 Volts
- 240 240 Volts
- 277 277 Volts [Standard for CMH]
- 347 347 Volts
- QV Quad Volt [120/208/240/277]
- UNV 120~277 Universal Volt  
*Must Specify Voltage for EM option*

### BALLAST

- EBX Electronic Ballast/Driver
- EBMH Electronic Ballast for MH
- HPF High Power Factor for MH
- IND Induction HF Generator

### FINISH

- BZ Bronze - Standard
- WHT White

### OPTIONS

- CT3 ±3000K LED/QL Color Temp
  - CT4 ±4000K LED/QL Color Temp
  - CT5 ±5000K LED/QL Color Temp
  - DIM Dimming Ballast  
*\*Refer to DIM Table for options*
  - FUS Fuse and Fuseholder
  - GN Generator Transfer Device
  - H/L Dual Circuit, LED High/Low Light Level
  - LECS\* LED Emergency Circuit [1] Five Watt
  - LEC10\* LED Emergency Circuit [2] Five Watt
- \*Must Specify Voltage for incoming EM Circuit [by others]  
A = 12V or B = 120V*
- HUB1 Myers Hub .5"
  - HUB2 Myers Hub .75"
  - PM Pendant Mount [12" Stem Standard]
  - QMB Quick Mount Galvanized "J" Box [2"]
  - QRS Quartz Restrike Relay [120V Only]  
Lamp by others
  - SRM Shallow Rapid Mount [0.5"]
  - SU Surge Protection for LED fixtures
  - TPD Tamperproof Screwdriver
  - TPS Tamperproof Screws

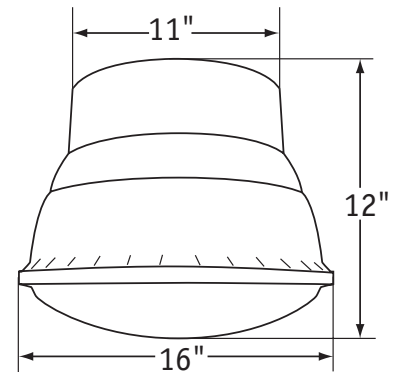
### CM109 LAMPING TABLE

TBX	MH	CMH	IC	QL	LED
[2]42	[1]70	[1]60	[1]80	[1]55	40
[2]57	[1]100		[1]100	[1]85	
[1]70	[1]150				

### SPECIFICATIONS

Multi-purpose compact low bay refractor luminaire provides exceptional performance with 85% spread light. Heavy-duty construction for durability and low maintenance.

- BALLAST — 120 or 277 Volt, extreme temp range -30°C to 90°C, HPF electronic ballast [EBX] for FL; [HPF] high power factor, [QV] quad volt for HID; [IND] HF induction generator for Induction ICE or QL.
- DIFFUSER — 16" Diameter Polycarbonate Dome. Built to resist vandalism.
- FINISH — Bronze finish is standard; optional White.
- GASKETING — High temperature silicone rubber & rear wire entrance hole protects against dust, moisture and outside contamination.
- HOUSING — Cast aluminum.
- LAMP — [TBX] Triple Biax Mini Fluorescent; [MH] Metal Halide and [CMH] Philips CosmoPolis™ Ceramic Metal Halide; [QL] QL Induction, [IC] Circle Induction; [LED] Light Emitting Diode.
- LENS FASTENERS — 3 Stainless steel Philips screws secure ring assembly.
- LABELS — UL/ULC LISTED Suitable For Wet Location.
- MOUNTING — Housing supplied with 3 .312" clearance holes for .25" screws for direct mount.



**SUBMITTAL INFORMATION**

Project: \_\_\_\_\_

Location: \_\_\_\_\_

Catalog No.: \_\_\_\_\_

Fixture Type: \_\_\_\_\_