



CEILING MOUNT

CM105 Series

MULTI-PURPOSE CEILING MOUNT
Indoor/Outdoor — FL, IND, LED, HID

Table with columns: SERIES, SIZE, LAMP TYPE, VOLTAGE, BALLAST, FINISH, OPTIONS. Lists various specifications for the CM105 series.

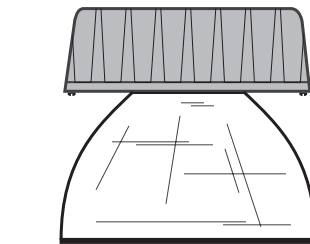
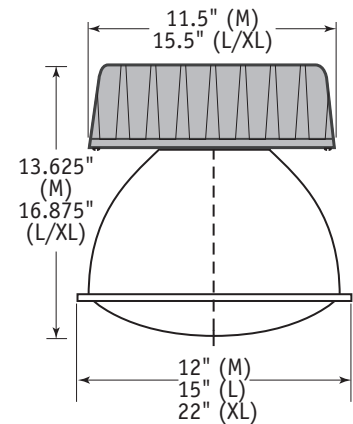
CM105 LAMPING TABLE

Table with columns: LAMP TYPE, TBX, MH, CMH, QL, LED. Lists lamping options and their corresponding wattages.

SPECIFICATIONS

Compact low bay refractor luminaire provides exceptional performance with 85% spread light and 15% ceiling uplight. Pulse Start metal halide model offers higher efficiency for wider fixture spacings.

- BALLAST — 120 or 277 Volt, extreme temp range -30°C to 90°C, HPF electronic ballast [EBX] for FL; [HPF] high power factor, [QV] quad volt for HID; [IND] HF induction generator for Induction ICE or QL.
DIFFUSER — Clear Acrylic Dome Diffuser. Built to resist vandalism.
FINISH — Chromate conversion coating and textured [BZ] bronze finish.
GASKETING — High temperature silicone rubber & rear wire entrance hole protects against dust, moisture and outside contamination.
HOUSING — Die cast.
LAMP — [TBX] Triple Biax Mini Fluorescent; [MH] Metal Halide and [CMH] Philips CosmoPolis™ Ceramic Metal Halide; [QL] QL Induction; [LED] Light Emitting Diode.
LENS FASTENERS — [1] Stainless steel tamper-proof screw secures ring assembly.
LABELS — UL/ULC listed, Suitable For Wet Location.
MOUNTING — Housing supplied with 3 .312" clearance holes for .25" screws for direct mount. UL/ULC LISTED Suitable For Wet Location.



Shown with Bottom Flat Acrylic Lens [Max MH150W]

SUBMITTAL INFORMATION
Project: _____
Location: _____
Catalog No.: _____
Fixture Type: _____