

CEILING MOUNT

CM104 Series

MULTI-PURPOSE CEILING MOUNT
Indoor/Outdoor — FL, IND, LED, HID

SERIES

CM104 Ceiling Mount Series CM104

LAMP TYPE

- TBX Triple Biax Mini-Fluorescent [QMB req'd with 3 Lamps 57W and 2 Lamps 70W]
- MH Metal Halide
- CMH CosmoPolis™ Metal Halide Ceramic Lamp by Philips [277V Standard for CMH]
- ICE Osram® ICE Induction
- IC Circle Induction
- QL QL Induction [165W req's QMB & 11" casting]
- LED Light Emitting Diode [req's QMB]

VOLTAGE

- 120 120 Volts
- 277 277 Volts [Standard for CMH]
- 347 347 Volts
- QV Quad Volt [120/208/240/277]
- UNV 120~277 Universal Volt
Must Specify Voltage for EM option

BALLAST

- EBX Electronic Ballast/Driver
- EBMH Electronic Ballast for MH
- HPF High Power Factor for MH
- IND Induction HF Generator

FINISH

- BK Black
- BZ Bronze - Standard
- CC Custom Color
- WHT White

OPTIONS

- CT3 ±3000K LED/QL Color Temp
- CT4 ±4000K LED/QL Color Temp
- CT5 ±5000K LED/QL Color Temp
- DIM Dimming Ballast
**Refer to DIM Table for options*
- EM Emergency Battery
*- Must Specify Voltage [120V or 277V];
Refer to EM Table for options]
- FUS Fuse and Fuseholder
- FUS2 Double Fusing
- GN Generator Transfer Device
- H/L Dual Circuit, LED High/Low Light Level
- LEC5* LED Emergency Circuit [1] Five Watt
- LEC10* LED Emergency Circuit [2] Five Watt
**Must Specify Voltage for incoming EM Circuit [by others]
A = 12V or B = 120V*
- HUB1 Myers Hub .5"
- HUB2 Myers Hub .75"
- MD Motion Detector
- PC Prismatic Polycarbonate Diffuser [Type V]
- PM Pendant Mount [12" Stem Standard]
- QMB Quick Mount Galvanized "J" Box
- QRS Quartz Restrike Relay [120V Only]
Lamp by others
- SU Surge Protection for LED fixtures
- TPD Tamperproof Screwdriver

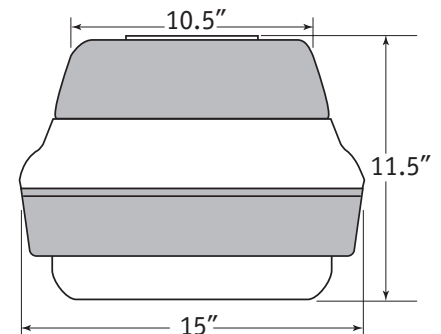
CM104 LAMPING TABLE

TBX	MH	CMH	ICE	IC	QL	LED
[2-4]32	[1]100	[1]60	[1]70	[1]80	[1]85	60
[2-4]42	[1]150	[1]90	[1]100	[1]100	[1]165	90
[2-3]57	[1]175	[1]140		[1]120		
[2]70						

SPECIFICATIONS

High performance refractor luminaire provides optimal 85% spread light. Long lamp life Induction or LED model for difficult-to-relamp and high ceiling applications. Heavy-duty construction for durability and low maintenance.

- **BALLAST** — 120 or 277 Volt, extreme temp range -30°C to 90°C, HPF electronic ballast [EBX] for FL; Pulse Start for HID; [IND] HF induction generator for Induction ICE or QL.
- **DIFFUSER** — 16" Diameter. Acrylic with Clear Dome Lens. 85% spreadlight, 15% uplight. IES Type V distribution.
- **FINISH** — Oven baked [WHT] white polyester powder.
- **GASKETING** — High temperature silicone rubber & rear wire entrance hole protects against dust, moisture and outside contamination.
- **HOUSING** — Cast aluminum.
- **LAMP** — [TBX] Triple Biax; [MH] Metal Halide; [ICE] Osram® ICE and [QL] QL Induction; [LED] Light Emitting Diode.
- **LABELS** — UL/ULC listed, Suitable For Wet Location.
- **MOUNTING** — Housing supplied with (3) .312" clearance holes for .25" screws for direct mount.



SUBMITTAL INFORMATION

Project: _____

Location: _____

Catalog No.: _____

Fixture Type: _____