

CEILING MOUNT

CM102 Series

MULTI-PURPOSE CEILING MOUNT
Indoor/Outdoor — FL, IND, LED, HID

SERIES

CM102 Ceiling Mount Series CM102

LAMP TYPE

- TBX Triple Biax Mini-Fluorescent
- MH Metal Halide
- CMH CosmoPolis™ Metal Halide Ceramic Lamp by Philips
- IC Circle Induction
- IG Globe Induction
- LED Light Emitting Diode

VOLTAGE

- 120 120 Volts
- 277 277 Volts [Standard for CMH]
- 347 347 Volts
- QV Quad Volt [120/208/240/277]
- UNV 120~277 Universal Volt
Must Specify Voltage for EM option

BALLAST

- EBX Electronic Ballast/Driver
- EBMH Electronic Ballast for MH
- HPF High Power Factor for MH
- IND Induction HF Generator

FINISH

- BK Black
- BZ Bronze - Standard
- CC Custom Color
- WHT White

OPTIONS

- CT3 ±3000K LED/QL Color Temp
- CT4 ±4000K LED/QL Color Temp
- CT5 ±5000K LED/QL Color Temp
- DIM Dimming Ballast
**Refer to DIM Table for options*
- FUS Fuse and Fuseholder
- GN Generator Transfer Device
- H/L Dual Circuit, LED High/Low Light Level
- LEC5* LED Emergency Circuit [1] Five Watt
- LEC10* LED Emergency Circuit [2] Five Watt
- *Must Specify Voltage for incoming EM Circuit [by others]*
A = 12V or B = 120V
- HUB1 Myers Hub .5"
- HUB2 Myers Hub .75"
- MD Motion Detector
- PM Pendant Mount [12" Stem Standard]
- QMB Quick Mount Galvanized "J" Box [2"]
- SQMB Quick Mount Box for Stem
- QRS Quartz Restrike Relay [120V Only]
Lamp by others
- SRM Shallow Rapid Mount [0.5"]
- SU Surge Protection for LED fixtures

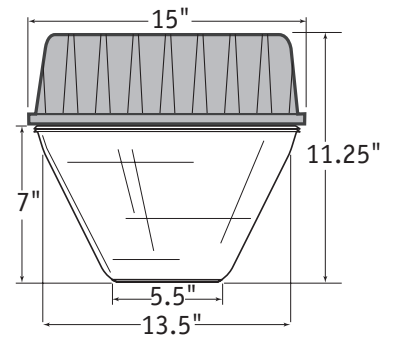
CM102 LAMPING TABLE

TBX	MH	CMH	IC	QL	LED
[1]42	[1]100	[1]60	[1]80	[1]55	40
[1]57	[1]150		[1]100	[1]85	50
[1]70					60

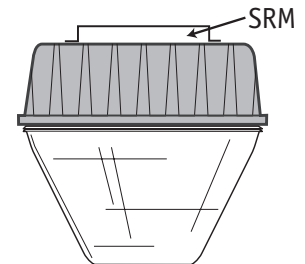
SPECIFICATIONS

Very compact refractor luminaire for high performance lighting. Features low brightness, built-in template for mounting to electrical box, emergency battery backup, instant on with fluorescent models and energy-efficient.

- BALLAST — 120 or 277 Volt, extreme temp range -30°C to 90°C, HPF electronic ballast [EBX] for FL; [HPF] high power factor, [QV] quad volt for HID; [IND] HF induction generator for Induction ICE or QL.
- DIFFUSER — 15" Diameter Polycarbonate. Built to resist vandalism.
- FINISH — Chromate conversion coating and textured [BZ] bronze finish.
- GASKETING — High temperature silicone rubber & rear wire entrance hole protects against dust, moisture and outside contamination.
- HOUSING — Die cast.
- LAMP — [TBX] Triple Biax Mini Fluorescent; [MH] Metal Halide and [CMH] Philips CosmoPolis™ Ceramic Metal Halide; [IC] Induction Circle & [IG] Induction Globe; [LED] Light Emitting Diode.
- LENS FASTENERS — [1] Stainless steel tamper-proof screw secures ring assembly.
- LABELS — UL/ULC listed, Suitable For Wet Location.
- MOUNTING — Housing supplied with 3 .312" clearance holes for .25" screws for direct mount.
- SOCKET — 4 KV rated medium base porcelain. 16 GA. 200°C. SF-2 lead wires.



Shallow Rapid Mount Option



SUBMITTAL INFORMATION

Project: _____

Location: _____

Catalog No.: _____

Fixture Type: _____